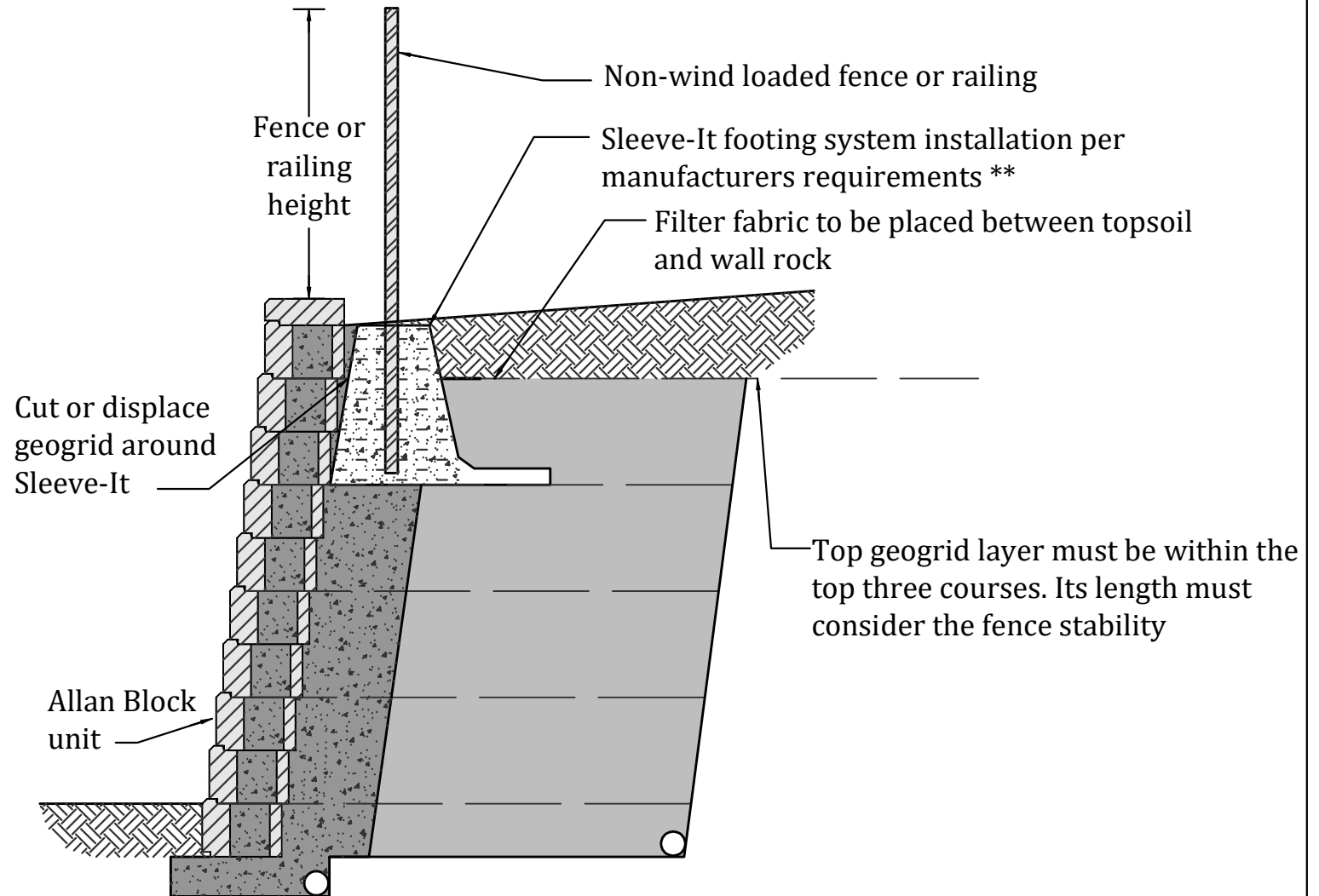



* Refer to design details: Allan Block typical reinforced application for all other notes, details and specifications

** Sleeve-It footing system must be installed during wall construction (wall installer must coordinate post locations with fence or railing installer)



Designed By:	Title: AB-29 ALTERNATE FENCE FOOTING	Date:
Checked By:	 <p>The purpose of this drawing is for preliminary design only. This should not be used for final design or construction without the certification of a professional engineer registered in the state in which the wall will be built. The accuracy and use of details contained in this document are the sole responsibility of the user. The user must verify each detail for accuracy as they pertain to their particular project.</p>	Project No:
Scale: Not to Scale	© 2021 Allan Block	Drawing No: