

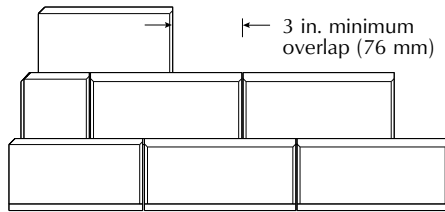


Building 90° Corners With The One Piece AB Corner Blocks

For Walls with a 12°, 6° or 3° setback.

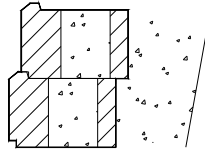
Building Outside Corners

- Start construction of all walls at the corner. This helps keep course bonding within the 3 in. overlap (76 mm) required.



- Ensure base is level going both directions.
- Fill each course with a compactable aggregate in the block cores and behind the block. Compact
- Alternate the units to obtain a finished corner detail.

Fill each course with a compactable aggregate in the block cores and behind the block. Compact.



- When ordering pairs of AB Corners, please specify 12, 6 or 3 degree.

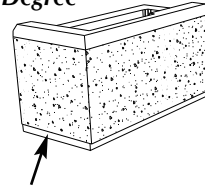
Note: Using corner units is more difficult than constructing corners with a curved wall. Using the corner units with the AB Rocks will require additional saw cutting.



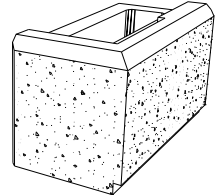
allanblock.com

The information shown here is for use with Allan Block products only.

3 or 6 Degree

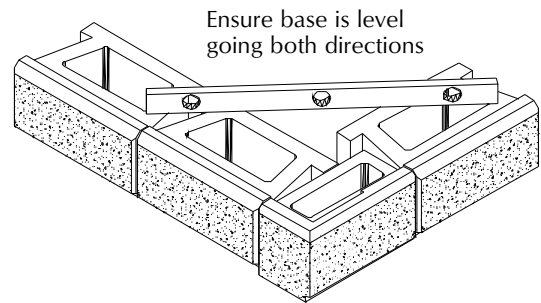


12 Degree

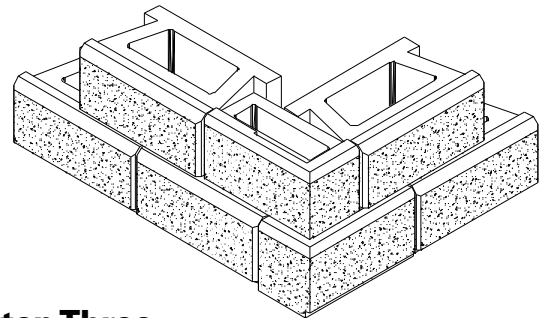


The 3° & 6° block has an additional notch on this side that will need to be cut if not precut by the manufacturer. See page 2.

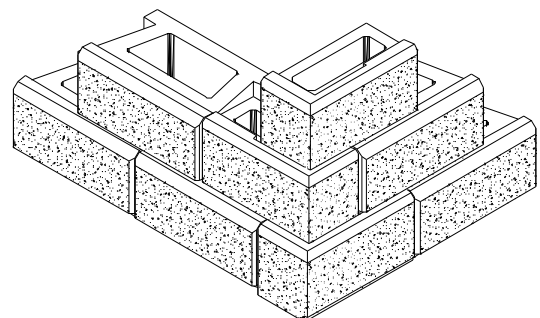
Step One



Step Two



Step Three

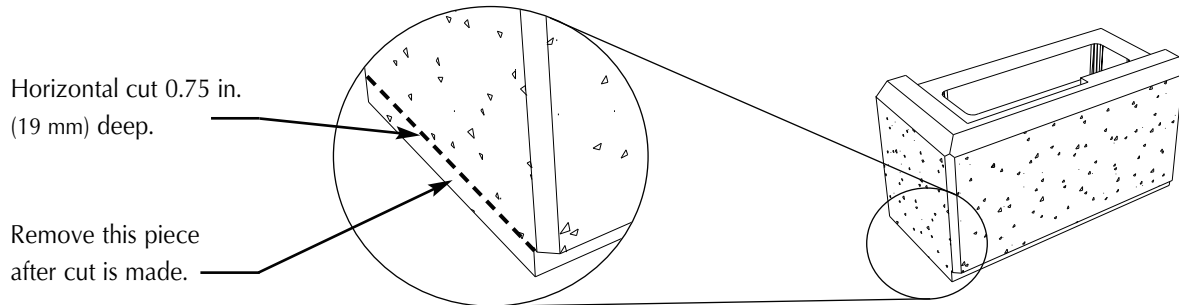




Adjusting the One Piece AB Corner Block for 3° & 6° Setbacks

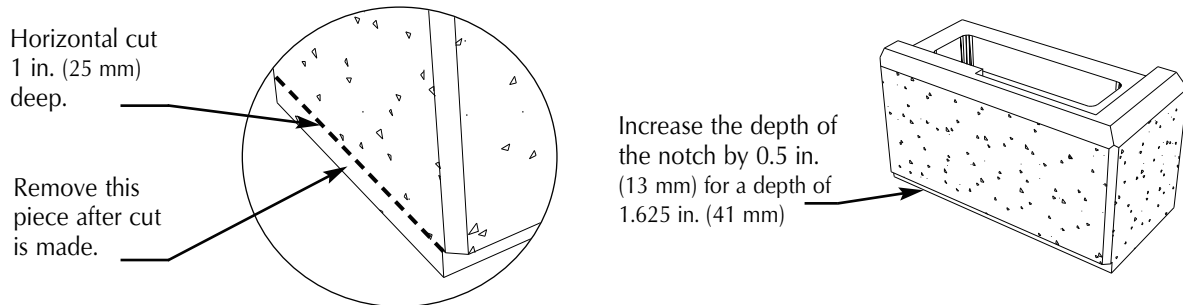
AB Corner Blocks are manufactured to be used with AB Stones, a 12 degree setback wall. With some adjustments they can be modified to work with AB Classic walls (6 degree setback) and AB Three walls (3 degree setback). Some manufacturers make these adjustments, check with your local representative for availability.

Adjustments for 6 degree setback



- Make a horizontal cut on the “short” face side of the block 0.75 in. (19 mm) deep at the same height as the notch on the “long” face side of the block.
- Remove the piece of concrete using a brick chisel. This will create a notch similar to the notch on the “long” side of the block.
- When complete the notch height should be 0.875 in. (22 mm) and the notch depth 0.75 in. (19 mm) on the “short face” of the block.

Adjustments for 3 degree setback



- Make a horizontal cut on the “short” face side of the block 1 in. (25 mm) deep at the same height as the notch on the “long” face side of the block.
- Remove the piece of concrete using a brick chisel. This will create a notch similar to the notch on the “long” side of the block.
- Increase the depth of the notch on the “long” face by 0.5 in. (13 mm).
- When completed the notch height should be 0.875 in. (22 mm) on both the “long and short” face sides of the block. The notch depth on the “short” face should be 1 in. (25 mm) deep, on the “long” face 1.625 in. (42 mm).

NOTE: Corner blocks are manufactured in pairs, left and right, and are packaged in equal quantities per pallet.

allanblock.com

The information shown here is for use with Allan Block products only.

